

PROJECT NOTES/SPECS

**System Size: 3.5kW**  
**Total No. of Panels: 14**

Solar Sketch has produced these drawings on behalf of Core Electrics. Core Electrics holds full responsibility for the accuracy of building dimensions and design of the PV installation. This drawing is property of Core Electrics and must not be copied in part or in full without permission. This drawing is not to be scaled - written dimensions only to be used.



REV	REVISION DETAIL

**INSTALLER**



[www.coreelectrics.co.uk](http://www.coreelectrics.co.uk)  
Tel : 0800 098 8188

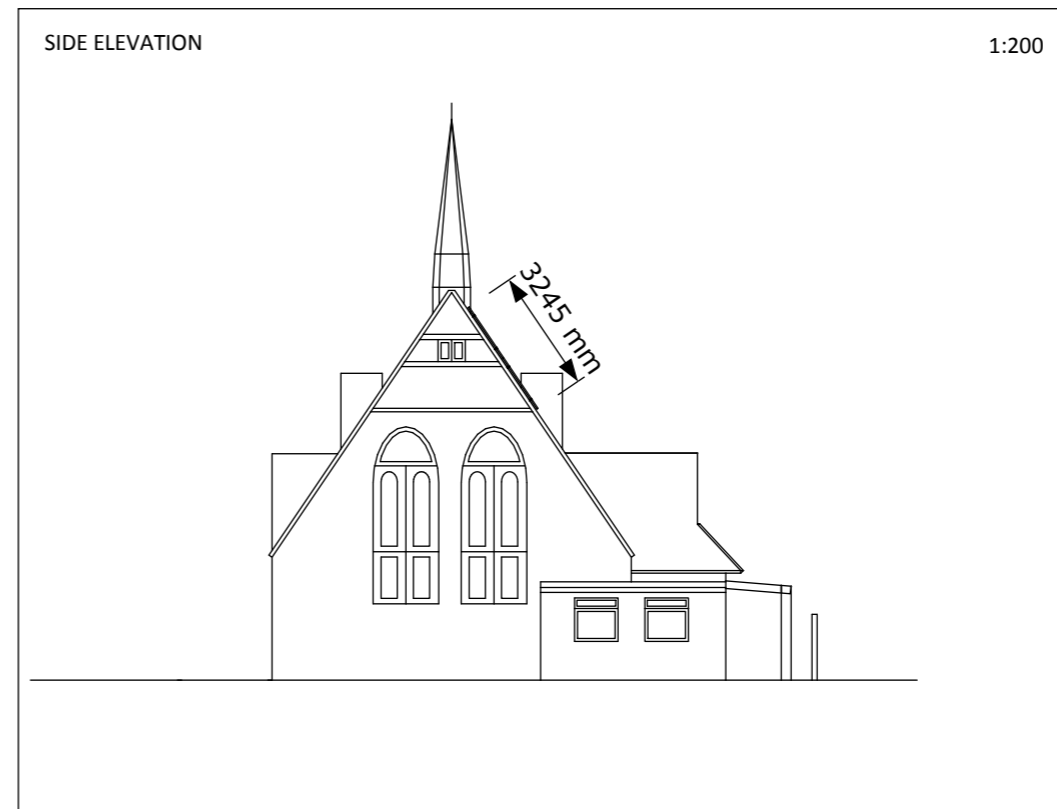
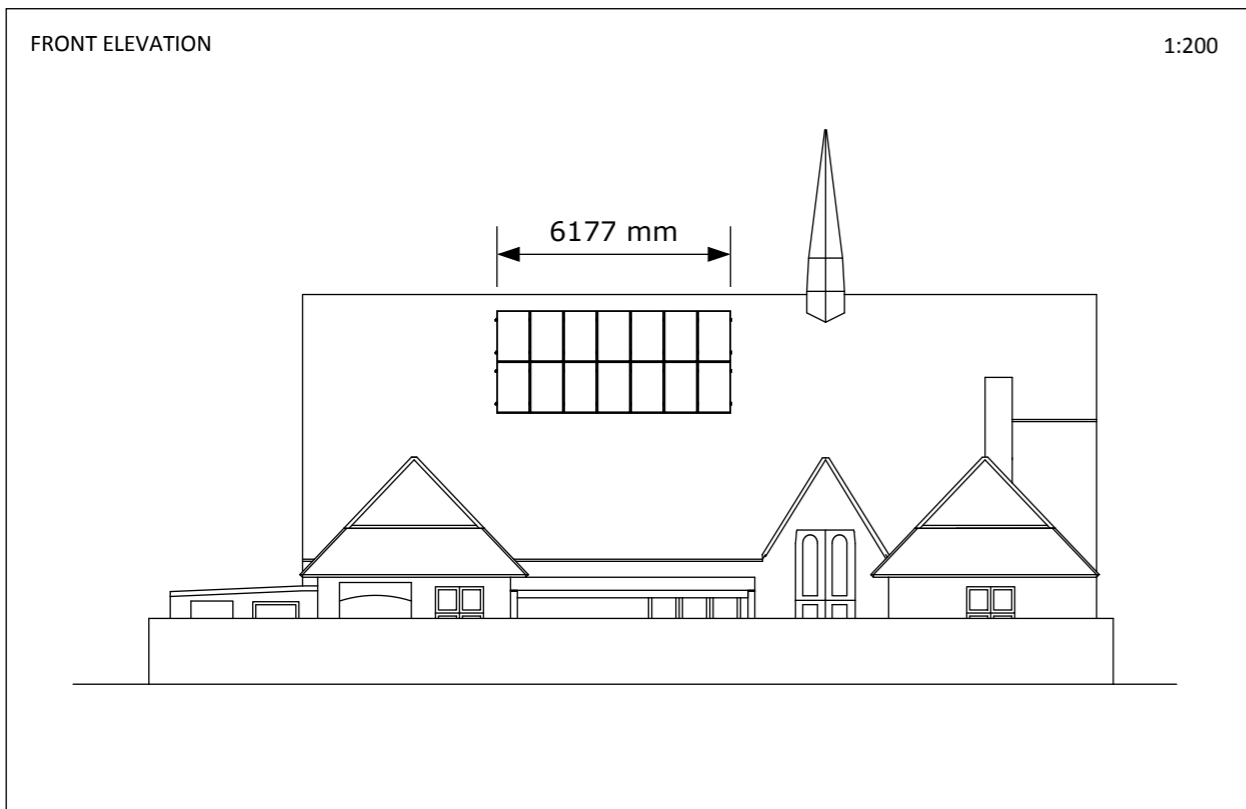
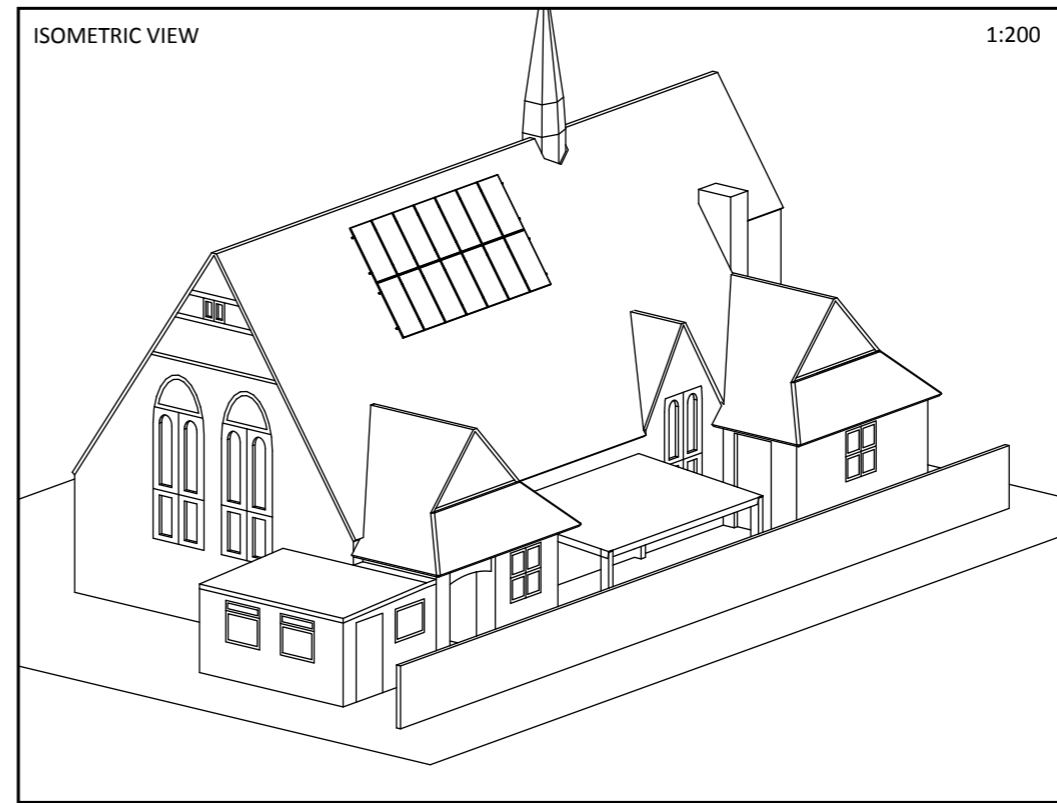
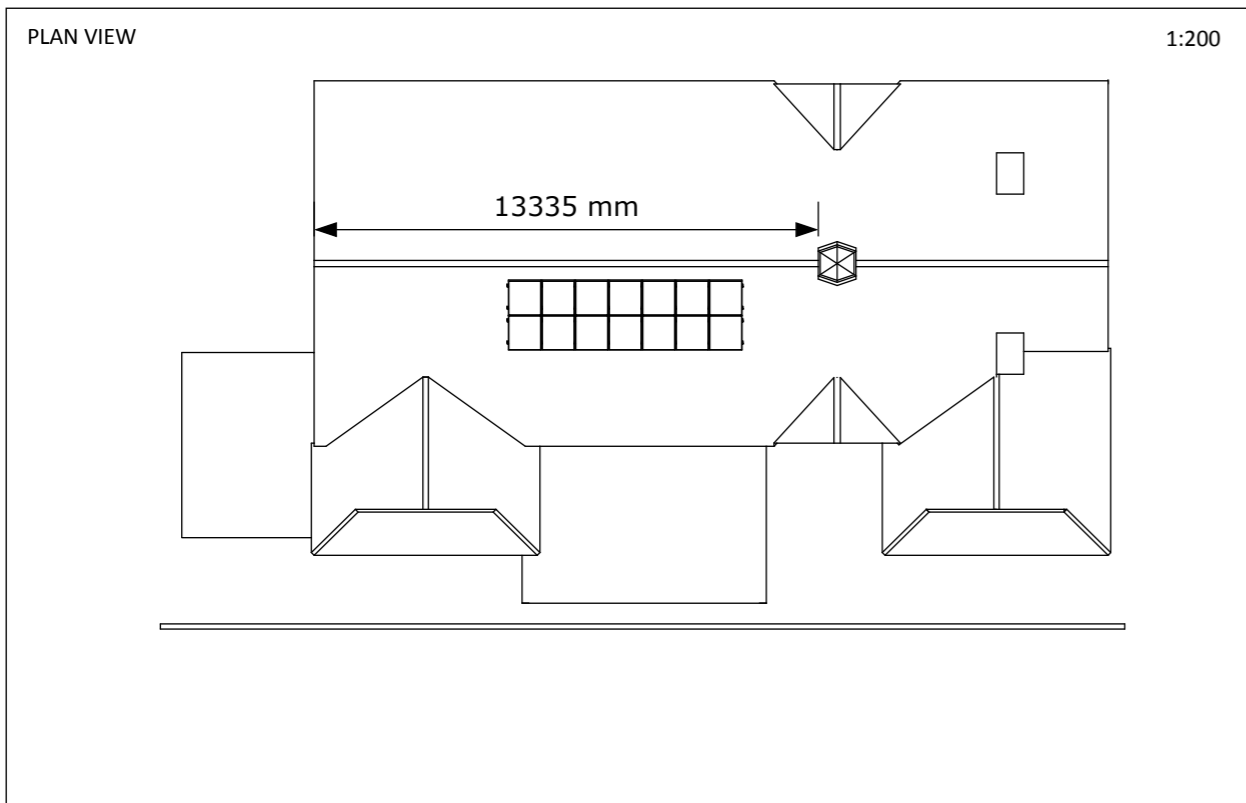
**CLIENT** TIDDLY WINKS NURSERY

**JOB** TIDDLY WINKS NURSERY,  
REDHILL, RH1 6EP

**TITLE** EXISTING BUILDING LAYOUT

DRAWN	DATE	SCALE
J.J.	19/04/11	AS SHOWN @A3

DRAWING No.	REVISION
CE002_01	-



PROJECT NOTES/SPECS

**System Size: 3.5kW**  
**Total No. of Panels: 14**

Solar Sketch has produced these drawings on behalf of Core Electrics. Core Electrics holds full responsibility for the accuracy of building dimensions and design of the PV installation. This drawing is property of Core Electrics and must not be copied in part or in full without permission. This drawing is not to be scaled - written dimensions only to be used.



REV	REVISION DETAIL

INSTALLER



www.coreelectrics.co.uk  
Tel : 0800 098 8188

CLIENT TIDDLY WINKS NURSERY

JOB TIDDLY WINKS NURSERY,  
REDHILL, RH1 6EP

TITLE PROPOSED PV INSTALLATION

DRAWN	DATE	SCALE
J.J.	19/04/11	AS SHOWN @A3

DRAWING No.	REVISION
CE002_02	-